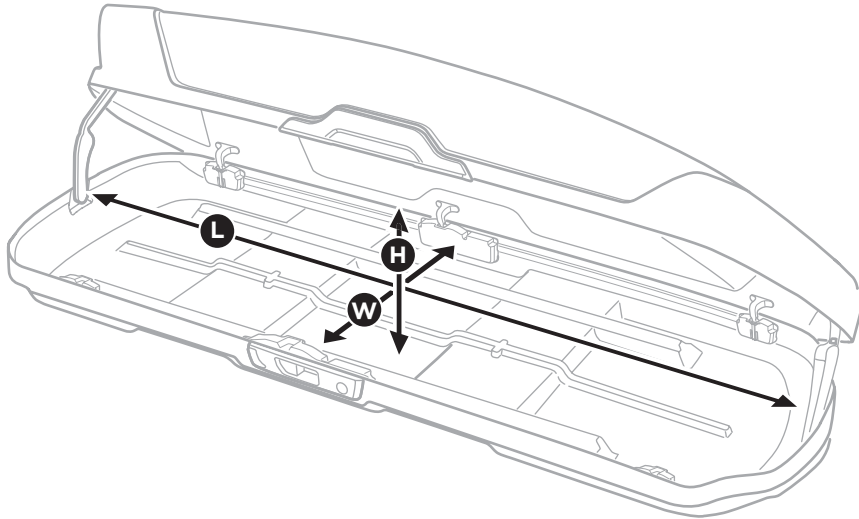


# Thule Internal Dimensions

## Cargo Box Measuring Guide



**Length:** The longest parallel measurement from the rear interior of the cargo box to the front of the box.\*

**Width:** The widest usable parallel measurement from one inside point of the cargo box to the opposite side.\*

**Height:** Measuring from the lowest continuously usable point in the cargo box to the highest point of usable space within the cargo box.\*

Box Class	Item	Length cm	Width cm	Height cm	Volume (litres)	Weight (kilos)	Max Ski Length cm
	Thule Excellence XT	205	85	35	470	28	200
	Thule Dynamic M	198	75	27	320	18	180
	Thule Dynamic L	226	85	28	430	22	205
	Thule Flow	210	81	25	400	24	210
	Thule Motion XT Sport	177	57	37	300	16	175
	Thule Motion XT M	164	76	40	400	17.5	155
	Thule Motion XT L	182	80	36	450	20	180
	Thule Motion XT XL	200	80	38	500	23.5	200
	Thule Motion XT XXL	222	84	41	610	25.5	215
	Thule Motion XT Alpine	222	85	30	450	25	215
	Thule Force XT Sport	179	52	37	300	15	175
	Thule Force XT S	127	78	34	300	14	X
	Thule Force XT M	162	71	40	400	16	155
	Thule Force XT L	177	73	41	450	19	180
	Thule Force XT XL	197	75	39	500	21	200
	Thule Force XT Alpine	218	59	37	420	19	215
	Thule Touring Sport	187	60	35	300	12	175
	Thule Touring S	135	85	39	330	10	X
	Thule Touring M	170	77	39	400	13	155
	Thule Touring L	190	73	39	420	15	180
	Thule Touring Alpine	228	65	38	430	15	220
	Thule Pacific 100	135	85	38	330	12	X
	Thule Pacific 200	170	75	39	410	14	155
	Thule Pacific 500	220	50	30	290	12	210
	Thule Pacific 600	187	59	34	310	13	180
	Thule Pacific 700	225	65	36	420	15	210
	Thule Pacific 780	190	73	38	420	15	180
	Thule Ocean 80	127	81	36	320	10	X
	Thule Ocean 100	135	84	38	360	12	X
	Thule Ocean 200	170	75	39	450	14	160
	Thule Ocean 600	180	57	34	310	12	170
	Thule Ocean 700	225	65	35	450	15	210
	Thule Ocean 780	190	73	38	470	18	180

\* The longest usable internal distance for the peak length/width/height perspective of the cargo box. The definition of usable peak distance is considered if objects such as skis (length) and ski boots (Width & Height) would be able to fit within the Peak Dimensions.